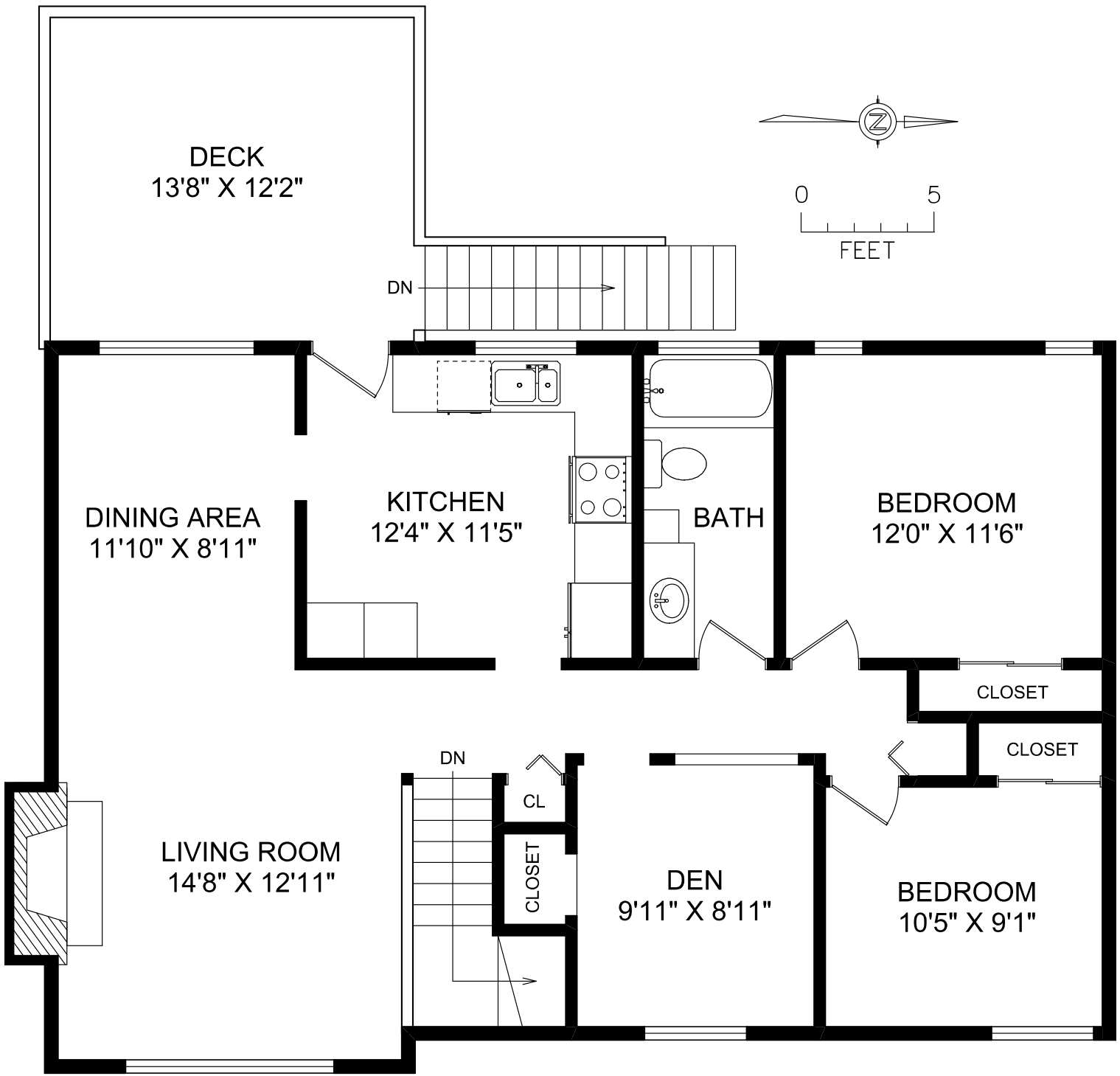


MAIN FLOOR



AREA		SQ FT	
FLOOR	FINISHED	UNFINISHED	TOTAL
MAIN	1074	0	1074
GRONDO	753	0	753
TOTAL	1827	0	1827
GARAGE		304	
SHED		82	
DECK		359	



2779 LAKEHURST DRIVE
 MEASURED FOR THE EXCLUSIVE USE OF
TED TYRRELL

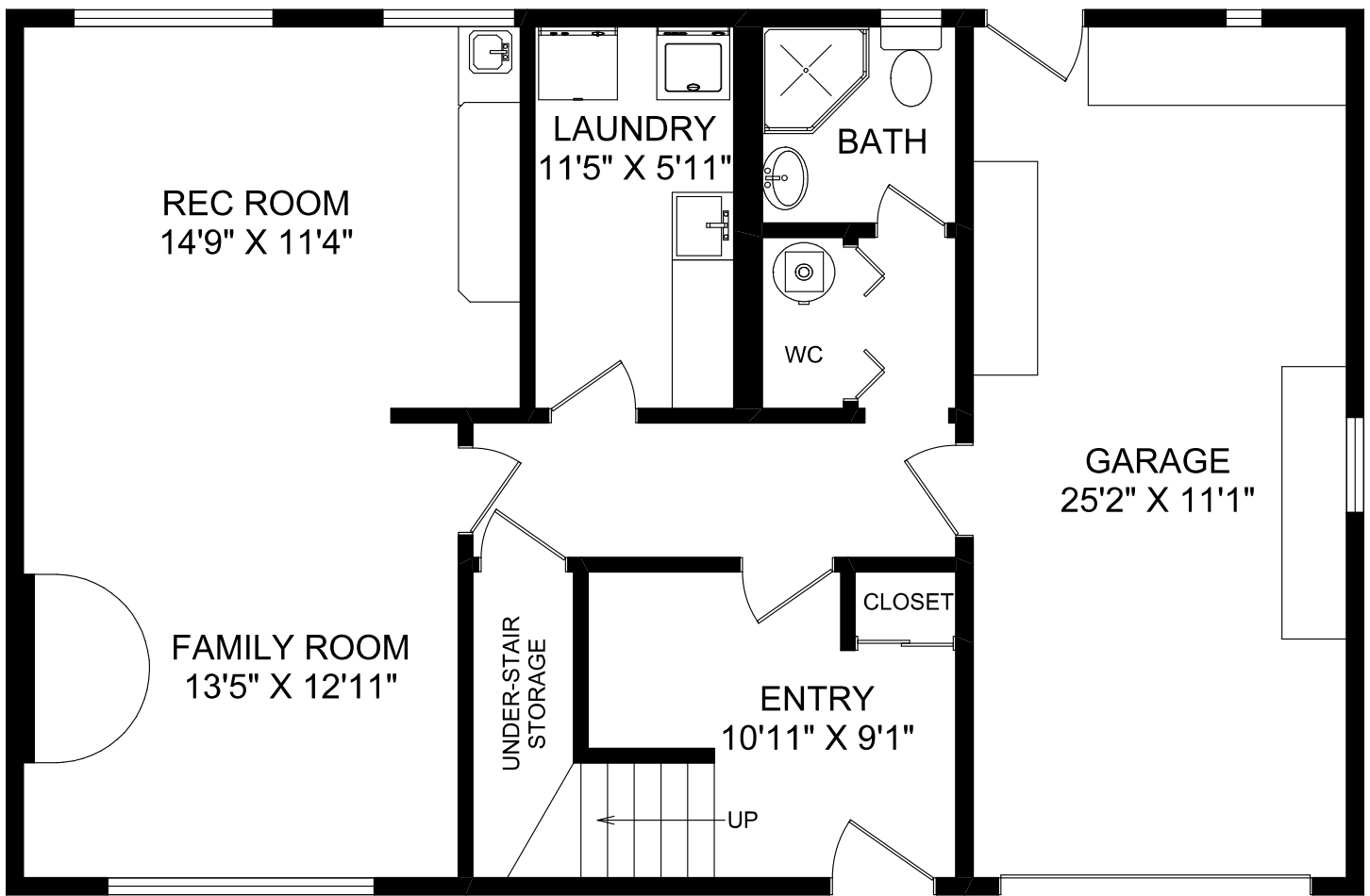
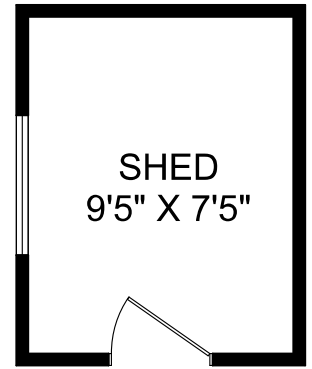
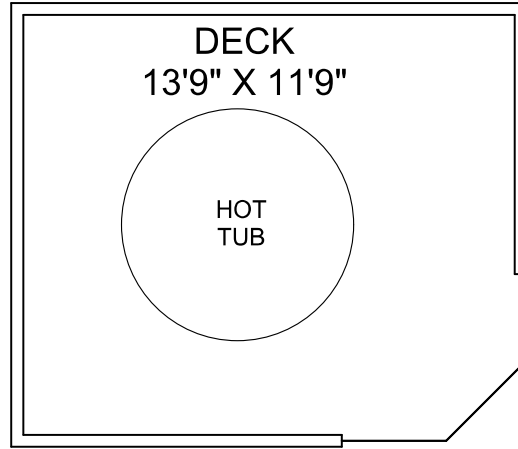
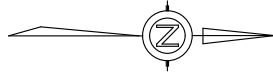
MEASURED JANUARY 5TH, 2012 BY JACOB GALATI



250.388.6998 orders@realfotovictoria.com

All information furnished regarding this property is from sources deemed reliable but no warranty or representation is made to the accuracy thereof.

GROUND FLOOR



AREA	SQ FT			
	FLOOR	FINISHED	UNFINISHED	TOTAL
MAIN		1074	0	1074
GRONDO		753	0	753
TOTAL		1827	0	1827
GARAGE			304	
SHED			82	
DECK			359	



2779 LAKEHURST DRIVE
 MEASURED FOR THE EXCLUSIVE USE OF
TED TYRRELL

MEASURED JANUARY 5TH, 2012 BY JACOB GALATI



250.388.6998 orders@realfotovictoria.com

All information furnished regarding this property is from sources deemed reliable but no warranty or representation is made to the accuracy thereof.